

1-800-BOLLARDS

The Bollard Experts

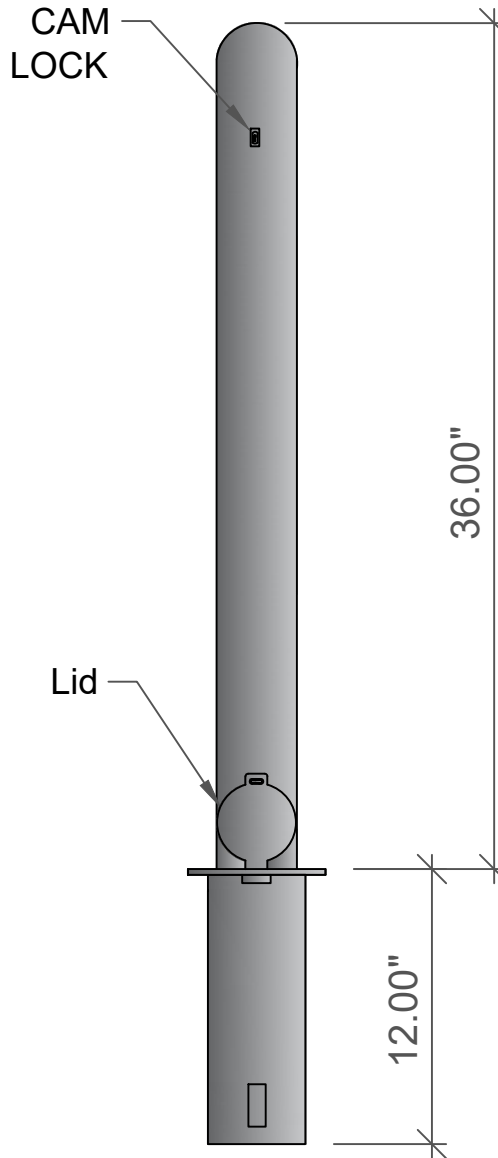
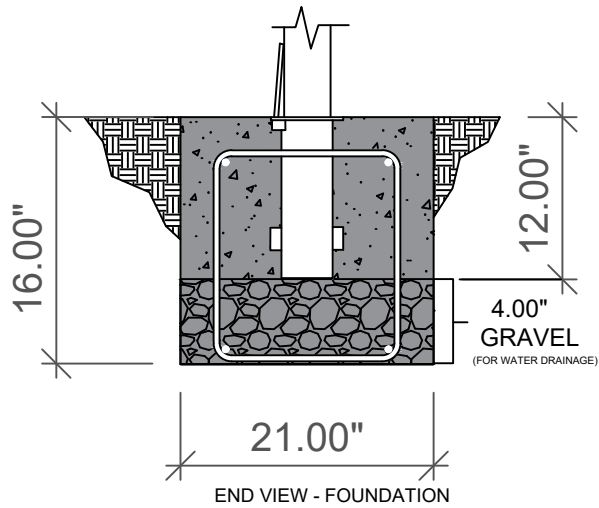
- SELECT DESIRED MATERIAL:
(3" NOMINAL SIZE)
- RSS03000 SCH 10 STAINLESS STEEL
- RSS03040 SCH 40 STAINLESS STEEL
- RSS03080 SCH 80 STAINLESS STEEL
- RCS03040 SCH 40 ASTM A-53 CARBON STEEL
- RCS03080 SCH 80 ASTM A-53 CARBON STEEL

- SELECT DESIRED STAINLESS STEEL BOLLARD FINISH:
- POLISHED #4 FINISH
- AS SPECIFIED _____

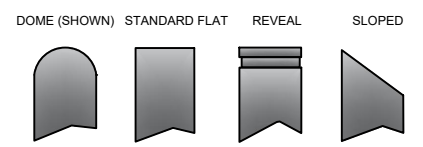
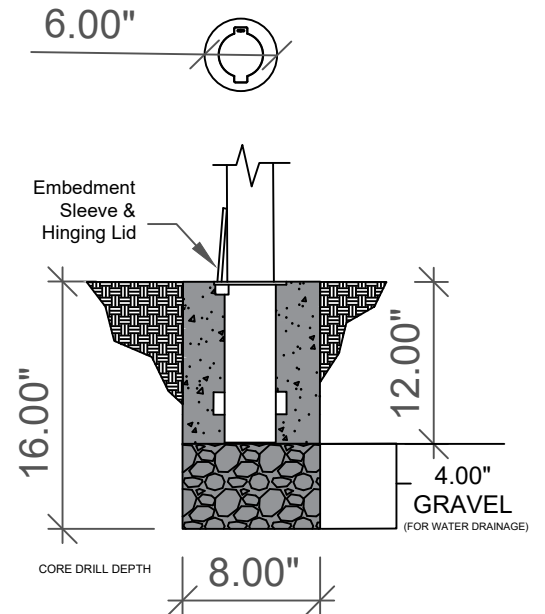
- SELECT DESIRED CARBON STEEL BOLLARD FINISH:
- POWDER COAT RAL # _____
- AS SPECIFIED _____

- SELECT DESIRED STAINLESS STEEL BOLLARD MATERIAL:
- TYPE 304
- TYPE 316

- SELECT DESIRED BOLLARD CAP STYLE:
- DOME (SHOWN)
- STANDARD FLAT
- REVEAL
- SLOPED



REVISIONS			
LTR	DESCRIPTION	DATE	APPVD
COMMENTS			
SPECIFICATIONS			
HEIGHT: 36"			
DIAMETER: 3.50"			
WALL THICKNESS: 0.280" SCHED 40			



NOTES:
1. INSTALLATION TO BE COMPLETED IN ACCORDANCE WITH MANUFACTURER'S SPECIFICATIONS.
2. DO NOT SCALE DRAWING.
3. THIS DRAWING IS INTENDED FOR USE BY ARCHITECTS, ENGINEERS, CONTRACTORS, CONSULTANTS AND DESIGN PROFESSIONALS FOR PLANNING PURPOSES ONLY. THIS DRAWING MAY NOT BE USED FOR CONSTRUCTION.
4. ALL INFORMATION CONTAINED HEREIN WAS CURRENT AT THE TIME OF DEVELOPMENT BUT MUST BE REVIEWED AND APPROVED BY THE PRODUCT MANUFACTURER TO BE CONSIDERED ACCURATE.
5. CONTRACTOR'S NOTE: FOR PRODUCT AND COMPANY INFORMATION VISIT www.CADdetails.com/info AND ENTER REFERENCE NUMBER 0046-027.

APPLICATION		NEXT ASSY		USED ON	

SERIES NUMBER: XX-S060-XX	CAGE CODE: 6NGJB	REV: REMOVABLE	DRAWING NUMBER: REMOVABLE
PRODUCT FAMILY: REMOVABLE	DRAWN BY: AJA	CHECKED BY:	DRAWING REV: SHEET: 1 OF 1
PRODUCT CLASS: STANDARD OR CUSTOMER DEFINED	PRODUCT LINE: BOLLARD	INTERNAL REMOVABLE	RELEASE DATE:
1-800-BOLLARDS, Inc. 10 Hughes Suite A105 Irvine, CA 92618 PHONE: 1-800-BOLLARDS WEB: WWW.1800BOLLARDS.COM EMAIL: INFO@1800BOLLARDS.COM		TITLE: BOLLARD, INTERNAL REMOVABLE	